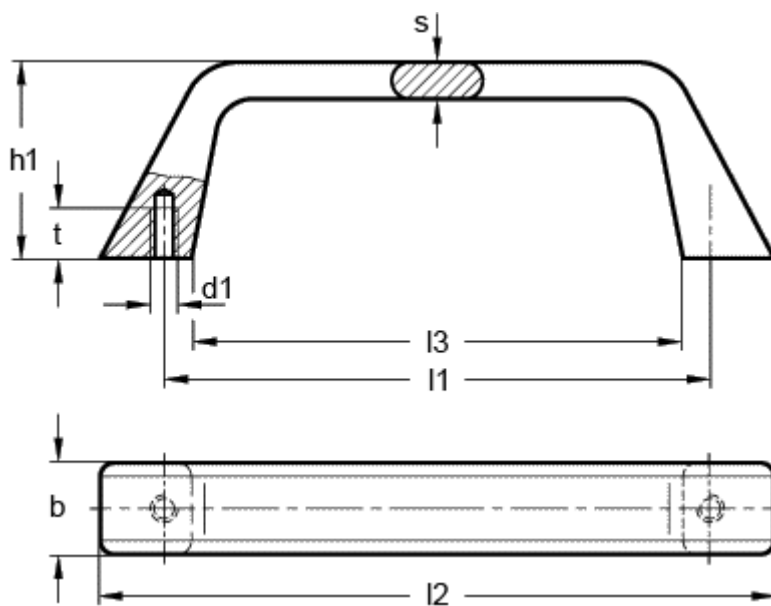


Article number: 20196055

Description: E+G Cabinet U-handle GN 728-180-A-SW

## Measures



b = 27.0

d1 = M8

h1 = 48

l1 = 180

l2 = 215

l3 = 166

s = 10

t min = 12